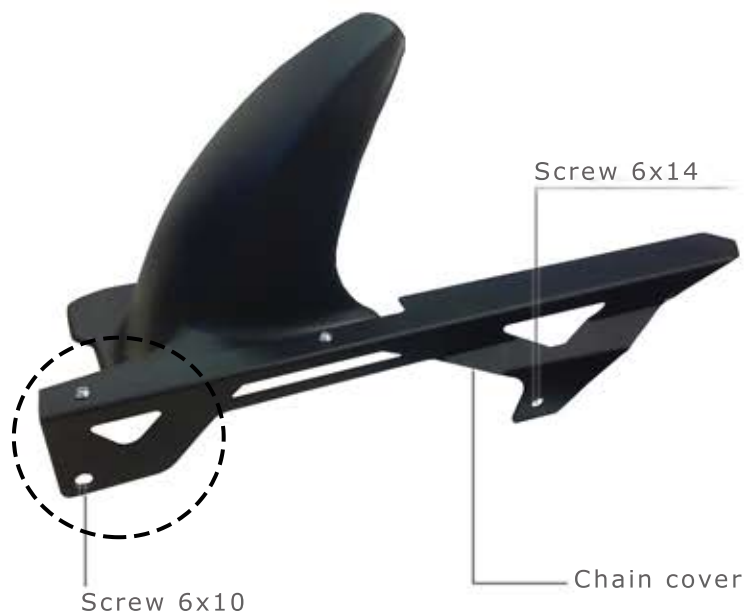
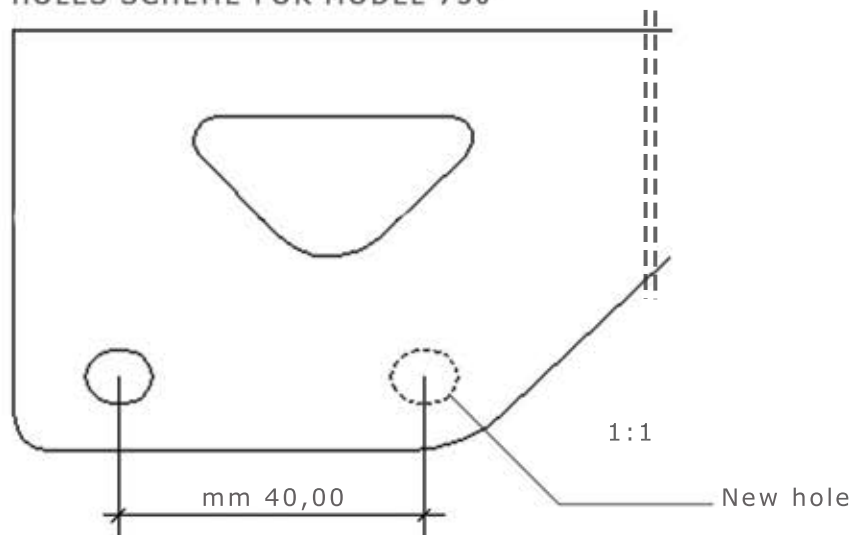


MOUNTING PROCEDURE

KIT REAR FENDER
HONDA INTEGRA 700-750
NC700X-S - NC750X-S

HI7 PARAFWWW.BARRACUDAMOTO.COM**KIT**

X1. ABS REAR FENDER
 X1. ALUMINUM CHAIN COVER
 X1. SCREW 5X12
 X1. SCREW 6X10
 X1. SCREW 6X14
 X1. BLACK WRAPPER

**HOLES SCHEME FOR MODEL 750**

REMOVE THE ORIGINAL REAR FENDER AND CHAIN COVER REMOVING THE FIXING SCREWS ON THE REAR FORK FAIRING SIDE; REMOVE THE CABLE SUPPORT ON THE OPPOSITE SIDE, MOUNT THE CHAIN COVER LOCKING THE SCREWS; MOUNT ALL THE SCREWS AND LOCK ALL USING ALSO THE WRAPPER INCLUDED IN THE KIT TO FIX THE REAR BRAKE CABLES TO THE FORK.

NOTE: USE THE BLACK WRAPPER TO FIX THE REAR BRAKE CABLES TO THE FORK

NOTE FOR MODEL 750: CUT "HOLES SCHEME FOR MODEL 750", APPROACH IT ON THE BARRACUDA CHAIN COVER AND MAKE THE HOLE LIKE SHOWN IN THE PICTURE AT THE SHOWN DISTANCE.